

CashPlus Standard

CashPlus is a generic portfolio of cash drawers, and has been selected from over 10,000 designs to reflect the unparalleled quality and flexibility that is customary to all Cash Bases products. Each drawer offers unique features, configurable inserts and variable dimensions, suitable for any retail environment, anywhere in the world.

DESCRIPTION

A compact cash drawer design which offers high capacity storage and a flexible insert design.

FEATURES

- Robust steel construction
- Steel ball bearing runners
- Drawer status micro switch
- Bolt down facility in base

OPTIONS

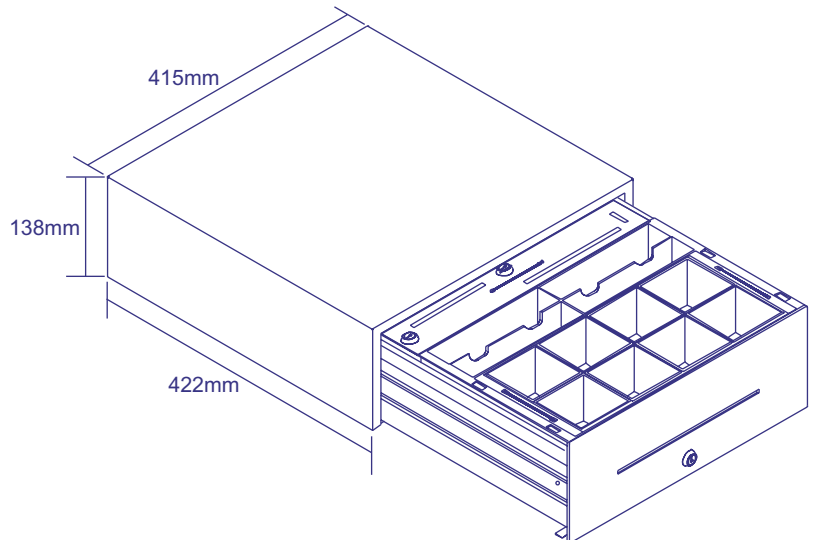
- A range of inserts
- Floppy note dividers to maximize note storage
- Fixed or removable coin cups in lift-out tray
- Coin cups suitable for weigh counting
- Integral steel security box
- Media posting slot
- Lockable lid for the insert
- Manual 'push-push' version with dead lock
- Emergency key release, 3 position or no lock
- Alike or random locks
- Support bracket for under counter mounting
- Rear cable guard for cable management

SPECIFICATION

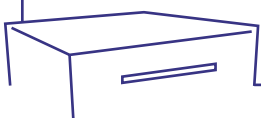
- Width: 415mm
- Depth: 422mm
- Height: 138mm
- Weight: 14kg

IDEAL FOR

- CTN's
- Lotteries
- Pharmacists



UKCASH-STAND/0803



Specification may be subject to change without notification